



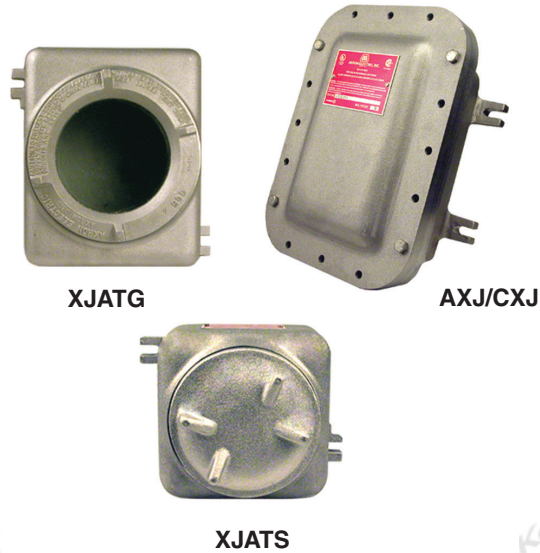
HAZARDOUS LOCATIONS

EXPLOSION PROOF ENCLOSURES AXJ, CXJ, XJAT SERIES



DESCRIPTION

The **AXJ, CXJ Series** and **XJAT Series** explosion proof enclosures consist of cast aluminum instrument housings and junction boxes for explosion proof and dust ignition proof applications. They are suitable for Class I, Division 1 and 2, Groups B, C, D; Class II, Division 1 and 2, Groups E, F, G; and Class III. They are furnished with mounting feet, a cover, and two 3/4" drilled and tapped conduit openings. **AXJ Series** enclosures include cover hinges. The N1 suffix adds a mounting panel which is 3/16" (0.476 cm) thick aluminum. The **XJAT Series** is available in a glass window and backplate version. The **AXJ Series** is approved for junction box only, for installation of devices in enclosure must use **CXJ Series**.



FEATURES

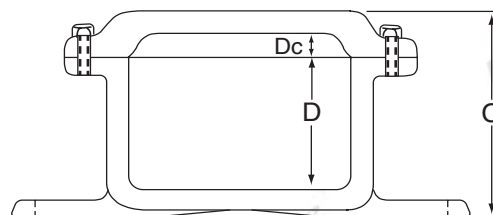
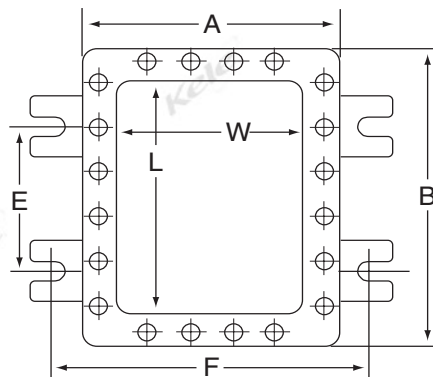
- Machined flange on AXJ/CXJ Series
- Threaded opening on XJAT Series
- Cast copper-free aluminum
- Stainless steel hinge on AXJ/CXJ Series
- Optional aluminum backplate
- 3/4" NPT holes, top and bottom
- Class I, Divisions 1 and 2, Groups B,C,D
- Class II, Divisions 1 and 2, Groups E,F,G
- UL File #146600 (AXJ, XJATG); File #E94590 (XJATS); File E139669 (CXJ)
- XJAT Series Class III Nema 3, 4x, 7, and 9
- AXJ/CXJ Series Class III Nema 3, 7, and 9



WARNING: All conduit runs must be sealed within six inches of the enclosure.

DIMENSIONS

AXJ, CXJ JUNCTION BOX DIMENSIONS in (cm)												w/o Back Plate	
MODEL	MODEL with BACKPLATE	W	L	D	Dc	A	B	C	E	F	Lug bolt	Weight lb (kg)	
AXJ664-H1-C2-M2	AXJ664-H1-C2-M2-N1	6.0 (15.24)	6.0 (15.24)	4.0 (10.16)	1.0 (2.54)	9.75 (24.76)	9.75 (24.76)	6.25 (15.87)	5.12 (13.01)	9.12 (23.17)	3/8"	17 (7.71)	
AXJ886-H1-C2-M2	AXJ886-H1-C2-M2-N1	8.0 (20.32)	8.0 (20.32)	6.0 (15.24)	1.0 (2.54)	12.5 (31.75)	12.5 (31.75)	8.5625 (21.74)	4.5 (11.43)	10.75 (27.30)	3/8"	36 (16.32)	
AXJ12126-H1-C2-M2	AXJ12126-H1-C2-M2-N1	12.0 (30.48)	12.0 (30.48)	6.0 (15.24)	1.5 (3.81)	17.0 (43.18)	17.0 (43.18)	9.5 (24.13)	8.62 (21.90)	15.75 (40.00)	1/2"	77 (34.92)	
AXJ12186-H2-C2-M2	AXJ12186-H2-C2-M2-N1	12.0 (30.48)	18.0 (45.72)	6.0 (15.24)	1.5 (3.81)	17.0 (43.18)	23.0 (58.42)	9.5 (24.13)	14.12 (35.87)	15.75 (40.00)	1/2"	116 (52.61)	
AXJ18248-H2-C2-M2	AXJ18248-H2-C2-M2-N1	18.0 (45.72)	24.0 (60.96)	8.0 (20.32)	1.5 (3.81)	23.125 (58.73)	29.125 (73.97)	11.875 (30.16)	18.37 (46.67)	21.75 (55.24)	5/8"	210 (95.25)	



AXJ SERIES

HAZARDOUS LOCATIONS 8

HAZARDOUS LOCATIONS



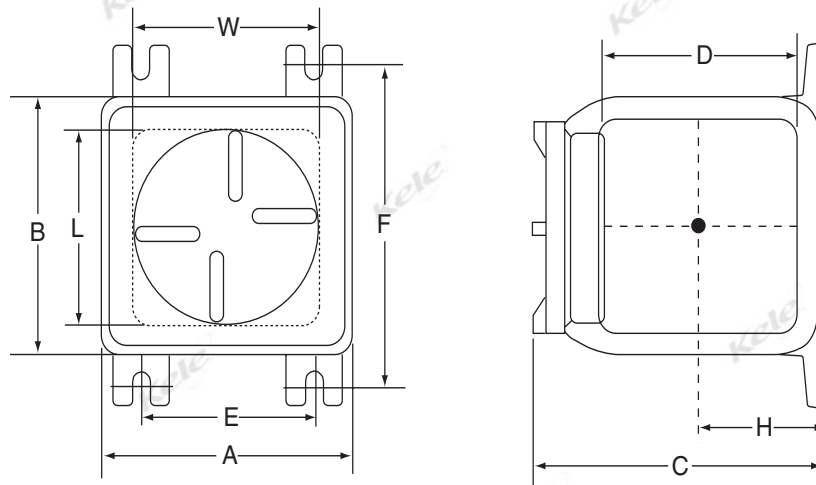
EXPLOSION PROOF ENCLOSURES AXJ, CXJ, XJAT SERIES

DIMENSIONS (CONTINUED)

AXJ SERIES

XJATS JUNCTION BOX (SOLID COVER) DIMENSIONS in (cm)											w/o Back Plate
MODEL	MODEL with BACKPLATE	W	L	D	Throat Opening	A	B	C	E	F	Weight lb (kg)
* XJATS2-C2-M2	* XJATS2-C2-M2-N1	6.0 (15.24)	6.0 (15.24)	4.12 (10.47)	5.75 (14.60)	7.25 (18.41)	7.25 (18.41)	7.0 (17.78)	5.0 (12.7)	8.5 (21.59)	12.0 (5.44)
* XJATS14-C2-M2	* XJATS14-C2-M2-N1	7.0 (17.78)	9.0 (22.86)	4.15 (10.55)	7.12 (18.09)	10.5 (26.67)	8.37 (21.27)	7.37 (18.73)	8.5 (21.59)	9.75 (24.76)	33.0 (14.97)
XJATS11-C2-M2	XJATS11-C2-M2-N1	12.0 (30.48)	12.0 (30.48)	6.12 (15.55)	9.12 (23.17)	13.75 (34.92)	13.75 (34.92)	9.75 (24.76)	10.5 (26.67)	15.5 (39.37)	54.0 (24.49)

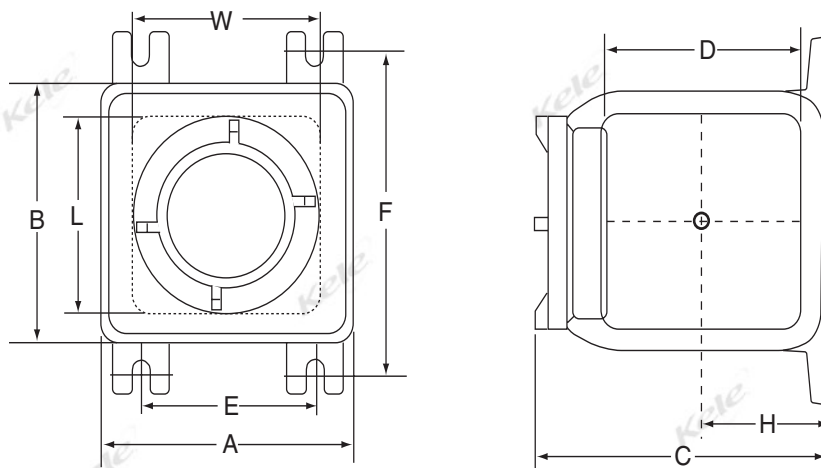
* Two diagonal mounting feet



XJATS SERIES

XJATG JUNCTION BOX (with WINDOW) DIMENSIONS in (cm)												w/o Back Plate
MODEL with WINDOW	MODEL with WINDOW and BACKPLATE	W	L	D	Throat Opening	A	B	C	E	F	Weight lb (kg)	Glass Viewing Area
* XJATG2-C2-M2	* XJATG2-C2-M2-N1	6.0 (15.24)	6.0 (15.24)	4.12 (10.47)	5.75 (14.60)	7.25 (18.41)	7.25 (18.41)	7 (17.8)	5.0 (12.7)	8.5 (21.59)	12.0 (5.44)	4.0 (10.16)
* XJATG14-C2-M2	* XJATG14-C2-M2-N1	7.0 (17.78)	9.0 (22.86)	4.15 (10.55)	7.12 (18.09)	10.5 (26.67)	8.37 (21.27)	7.37 (18.73)	8.5 (21.59)	9.75 (24.76)	33.0 (14.96)	5.25 (13.33)
XJATG11-C2-M2	XJATG11-C2-M2-N1	12.0 (30.48)	12.0 (30.48)	6.12 (15.55)	9.12 (23.17)	13.75 (34.92)	13.75 (34.92)	9.75 (24.8)	10.5 (26.67)	15.5 (39.37)	54.0 (24.49)	6.75 (17.14)

* Two diagonal mounting feet



XJATG SERIES